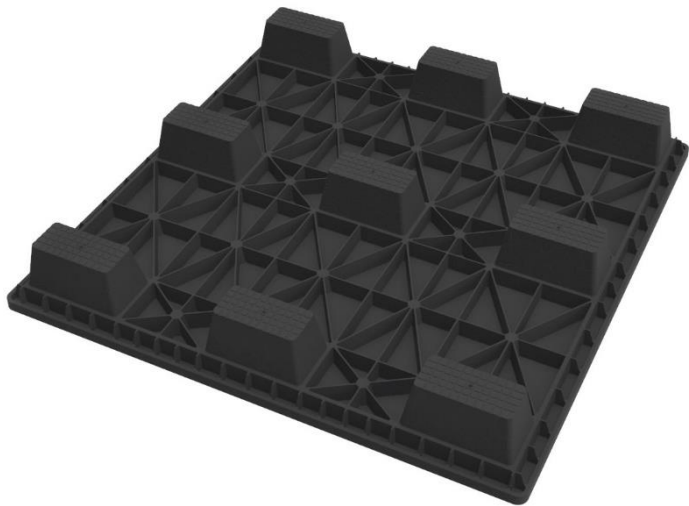
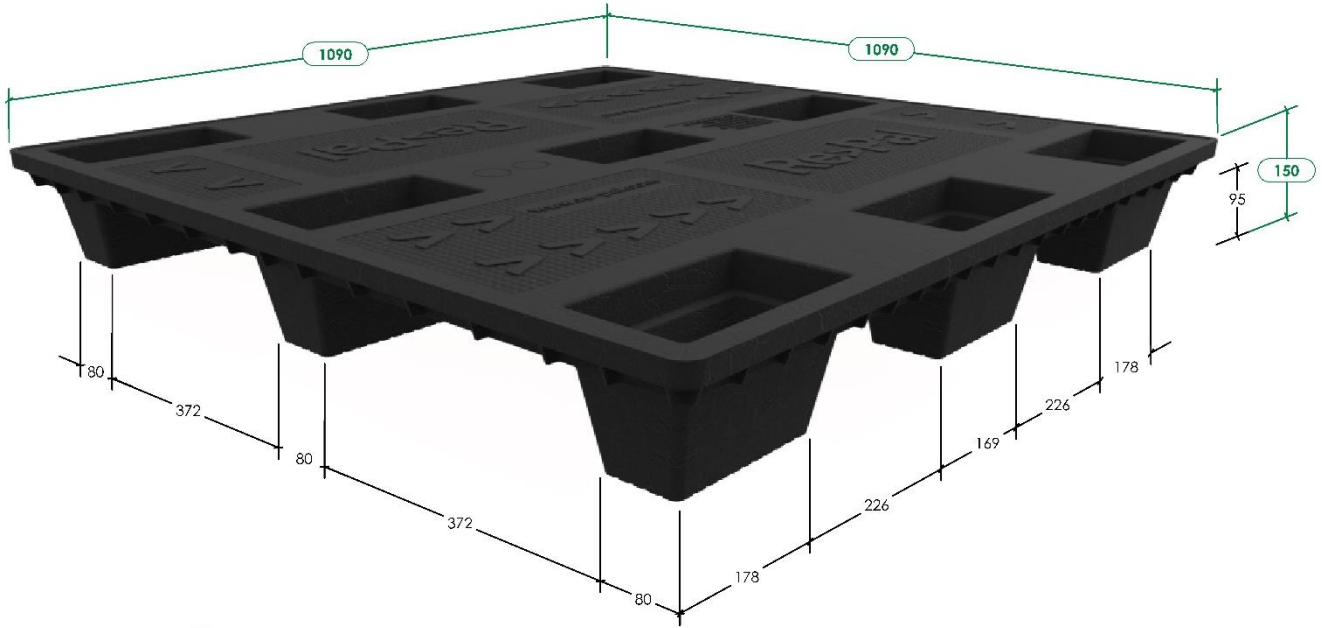




NP 1090 – Nestable Pallet



SPECIFICATION PALLET

	1090x1090x150 mm	14.8 kg/pcs
✓	Lifting	1200 kg
✓	Stacking	3000 kg
✗	Racking	-
	Forklift Access	4 Ways
	Pallet Mover Access	2 Ways
	20 ft Container	480 pcs
	40 ft HC Container	1188 pcs

PALLET STORAGE

